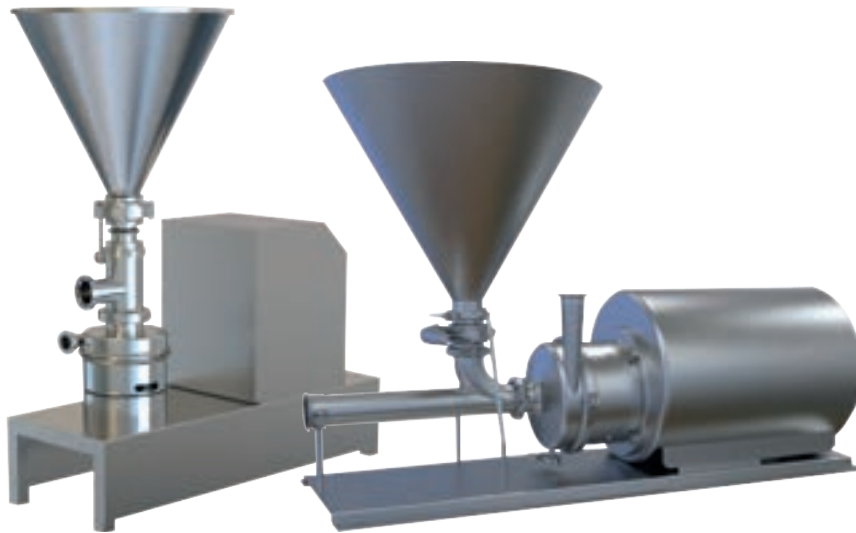
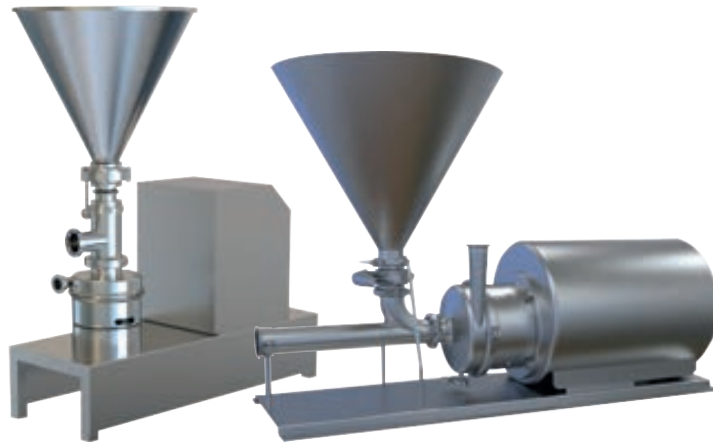




## **FB-100 / FB-200 BLENDER**



**YOUR SOLUTION PARTNER**



## FB-100 / FB-200 BLENDER

### APPLICATION

FB100/FB200 blender is used to dissolve solid / powder products in to a liquid, recirculated in a tank. The blender is limited to the suction of small amount of solids as it has no table for bags and the hopper is smaller than that of the table blender.

### WORKING PRINCIPLE

FB100/FB200 blender is a compact unit, it consists of a centrifugal pump with a venturi system on the suction side and a hopper with a butterfly valve above the venturi to add solid / powder products to the pumped liquid. The venturi system and the suction of the pump create a negative pressure at the base of the hopper. To achieve the best possible dissolution, it is recommended to recirculate the product.

### OPTIONS

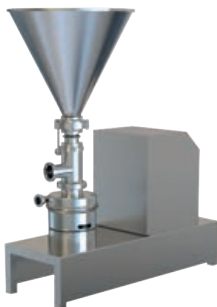
- Gaskets FPM or PTFE
- Connections DIN, SM
- Vibrator for hopper.
- Pneumatically actuated valve + low level sensor for solids.
- Solids upper level sensor

### MATERIALS

- Parts in contact with the product : AISI 316L
- Other metal parts : AISI 304
- Gaskets : EPDM
- Mechanical seal : SiC/C/EPDM
- Internal Bright polish Ra :  $\leq 0,8 \mu\text{m}$
- External Matt

### DESIGN AND FEATURES

- Easy assembly and cleaning
- Hygienic design.
- Single Mechanical seal
- ISO 2852 Clamp connections for easy assembly /disassembly.
- Cleaning and disinfection without disassembly



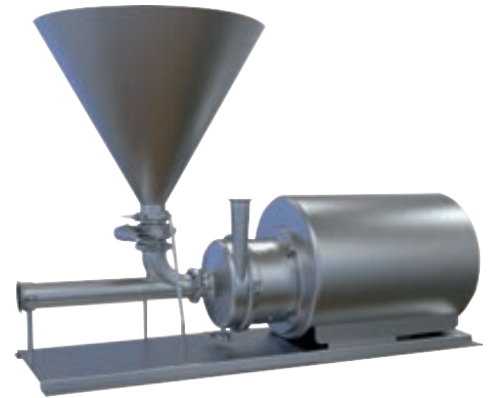
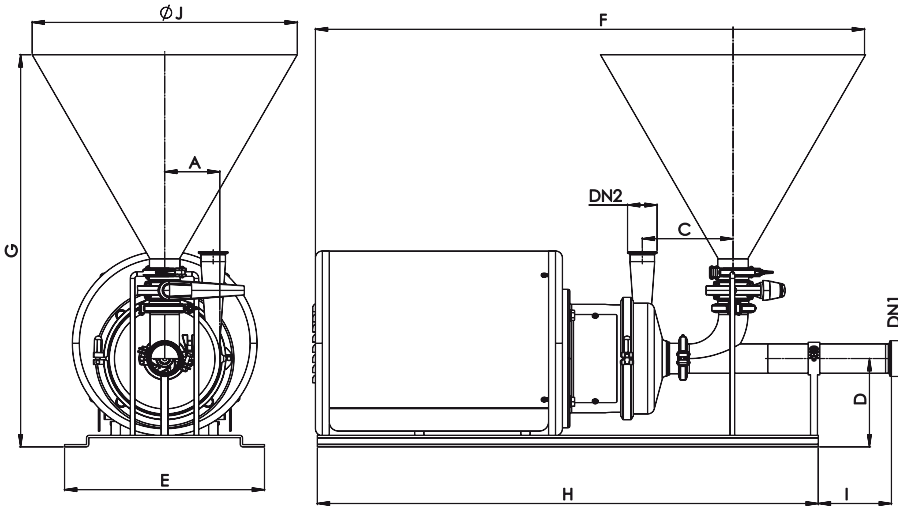
## FB100 BLENDER

### DIMENSIONS

TYPE	Ø DN1	Ø DN2	A	B	C	D	E	F	G	H	I	J
FB-100-0120	2"	1 1/2"	74	131	240	313	490	1045	933	900	37	505
FB-100-0126	3"	2"	72	145	322	325	490	1185	1060	1200	40	605

### CAPACITY

Liquid (m <sup>3</sup> /h)	Powder (kg/h)	Power (kw)	Speed (rpm)	Weight (kg)
20	1300	3	3000	88
40	2000	5,5	3000	103



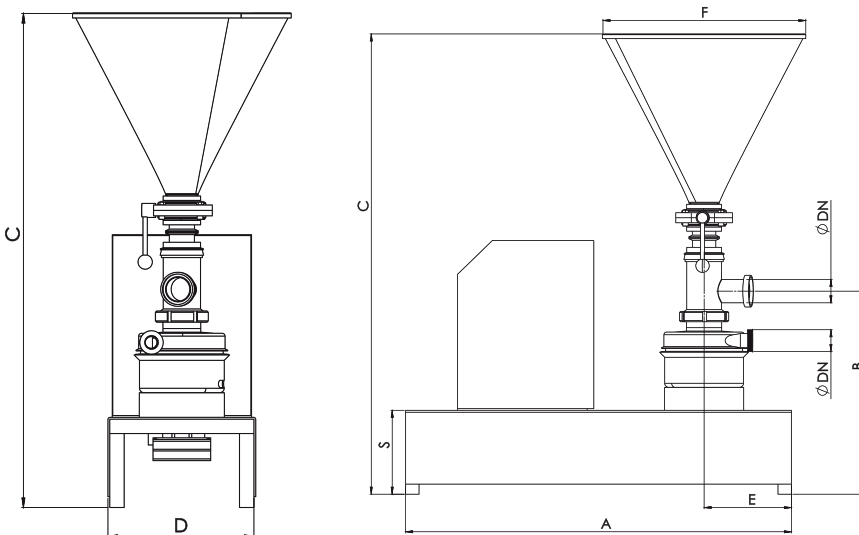
## FB200 BLENDER

### DIMENSIONS

TYPE	ØDN	A	B	C	D	E	F
FB-200	3"	950	438	1380	410	170	615

### CAPACITY

Liquid (m <sup>3</sup> /h)	Powder (kg/h)	Power (kw)	Speed (rpm)	Weight (kg)
65	9000	11	3000	240





**Marxi Group Sp. Z o.o. spółka komandytowa**

Ul. Chełmżyńska 70 04-247 Warsaw / Poland

**Mobile:** +48 506 197 962 - **Phone:** +48 22 610 19 82

info@flussmann.com - www.flussmann.com