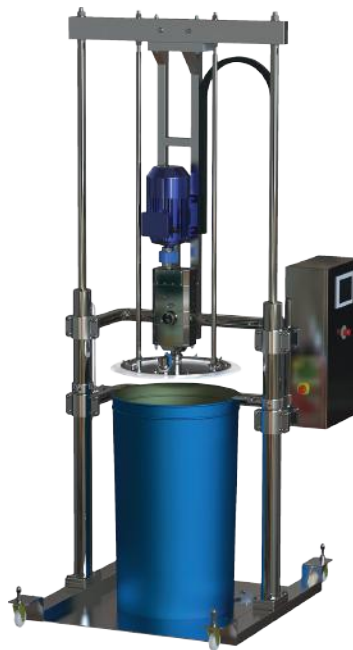




UNLOADING BARREL SYSTEM



YOUR SOLUTION PARTNER

A decorative graphic at the bottom of the page, consisting of a blue wave-like shape on the left that transitions into a grey wave-like shape on the right.



UNLOADING BARREL SYSTEM

APPLICATION

Flussmann Drum Unloading System is a hygienic product to be used in food&beverage, chemical, cosmetic and pharmaceutical industries for low or high viscosity products. System works on base of volumetrically conveying Flussmann Progressing Cavity Pump, which creates vacuum under the follower plate and that vacuum causes certain pressure on the material in barrel, so that pump can have a constant suction.

WORKING PRINCIPLE

The system is equipped with a follower plate with silicon wiper which perfectly cleans the sides of the drum, leading to a minimum product waste of less than 1 %. Drum unloading system is controlled easily by HMI screen. The pistons in system works with double-acting principles. The system is brought to desired to the position by directing the air going to the piston with the help of valves. After setting the follower plate to the top of the drum, the pump starts. This caused by the weight of the system and the vacuum effect of the pump.

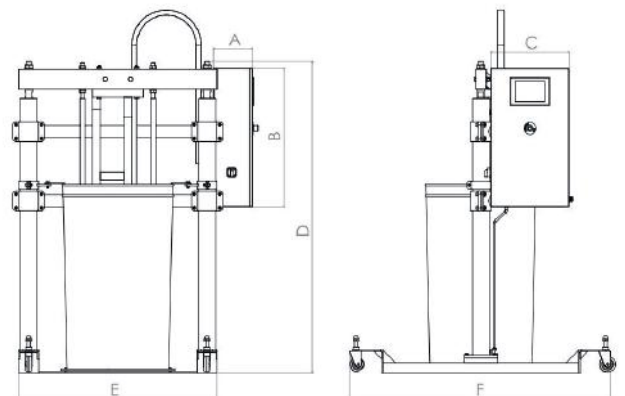
DESIGN AND FEATURES

- Maximum Pressure: 10 Bar
- Temperature range: -10 to 120° (Viton)
- Maximum Speed : 3000 rpm (50 Hz)

MATERIALS

PUMP

- Parts in contact with the product : Stainless steel
AISI 316
- Other steel parts : Stainless steel
AISI 304 (1.4301)
- Mechanical seal Gaskets : SiC/C/EPDM

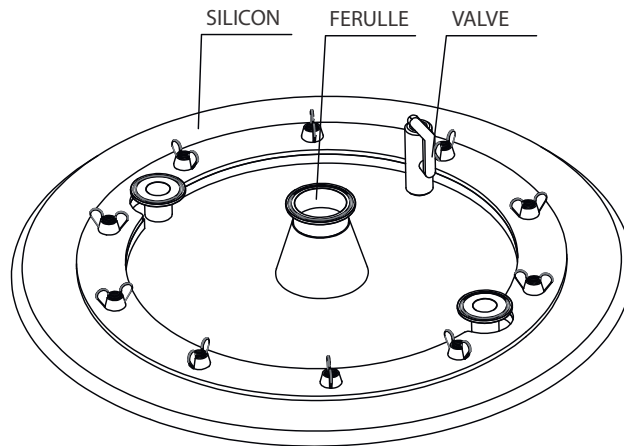


DRUM UNLOADING SYSTEM

- Full stainless steel
- Simple to use HMI colour touch screen control
- Low maintenance
- Energy efficient electric motor drive
- Variable speed drive enables full speed control for both product and CIP duties
- Safety Transportable
- Minimum product waste of less than 1% (follower plate)

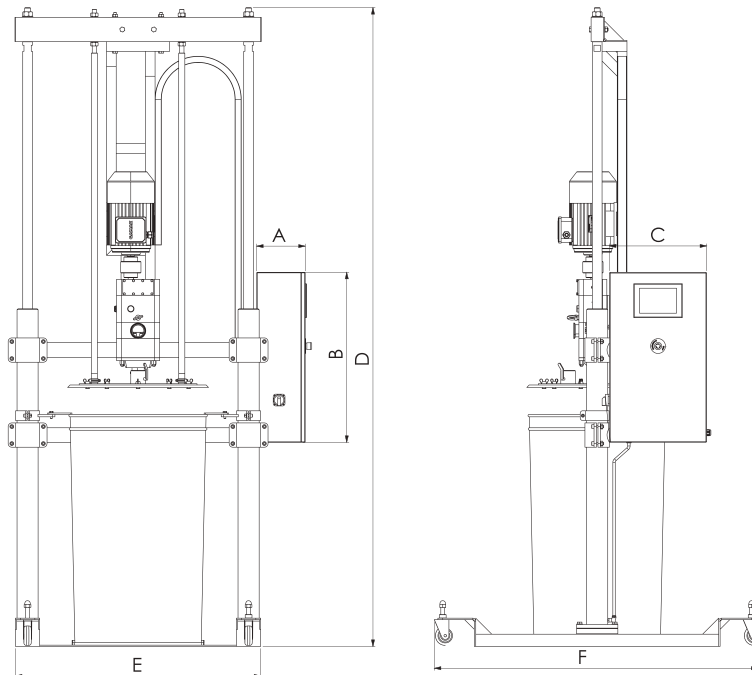


HMI touch screen



Follower plate

DIMENSIONS



A	B	C	D	E	F
200	700	400	2630	1010	1330



Marfil Group Sp. Z o.o. spółka komandytowa

Ul. Chełmżyńska 70 04-247 Warsaw / Poland

Mobile: +48 506 197 962 - **Phone:** +48 22 610 19 82

info@flussmann.com - www.flussmann.com