

Geared 3" Vertical Spindle Attachment

Geared Vertical Spindle

Used to lift and rotate reels of film by gripping reel's core the Vertical Spindle is available in a wide range of sizes and configurations as standard and capable of lifting loads up to 200kg depending on model

For applications outside of the standard range the company provides a full bespoke design service offering solutions for most applications

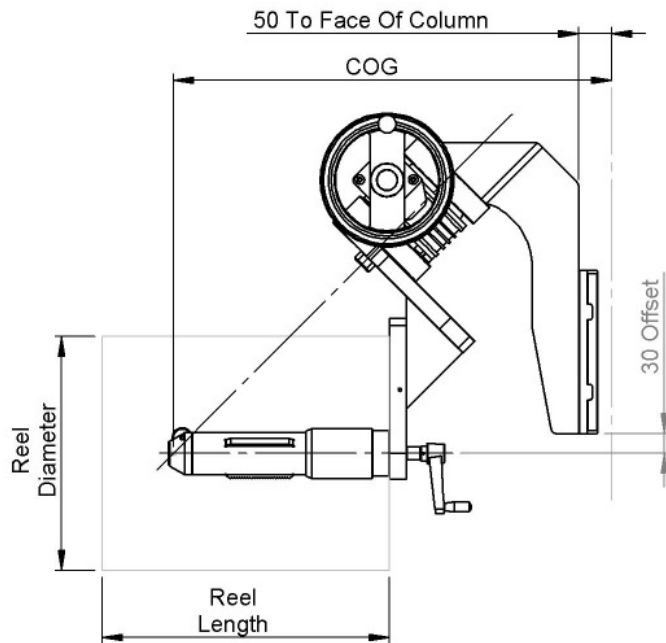
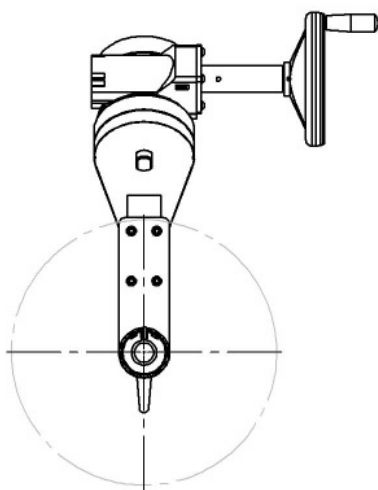
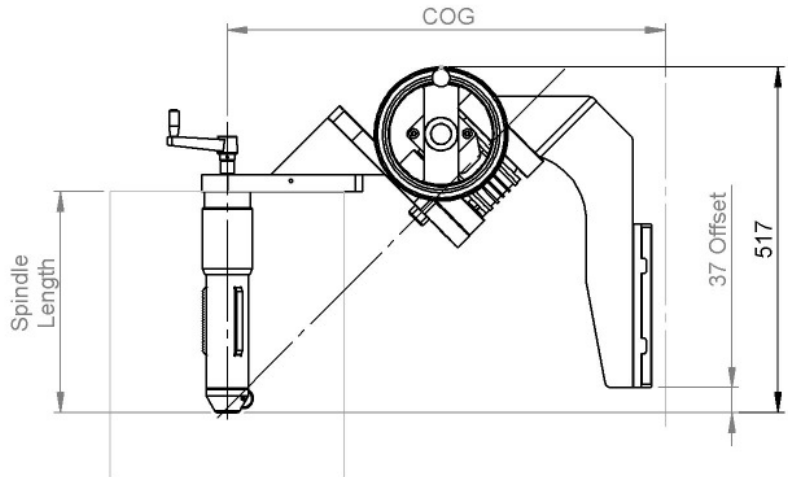
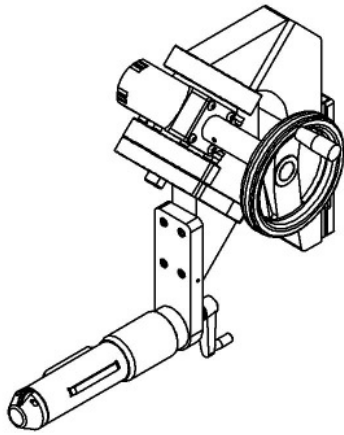
Packline's full range of attachments are fully interchangeable and can be easily fixed or removed from any model of Compac fitted with the unique quick release system

Overview:-

- Available as Gearbox Rotation
- Load capacity up to 200kg (440lbs)
- Suitable for reel core diameters of 75mm (3") as standard
- Built in Torque limiter to ensure correct gripping pressure is applied to the reel's core optional
- Constructed mainly from anodised Aluminium, Stainless Steel, Brass and Acetal making it suitable for hygienic and clean room applications
- Fitted with expanding serrated jaws to provide maximum grip and cater for core



Geared 3" Vertical Spindle Attachment



	Description	Max. SWL	Load Centre	Max. SWL On Compac Model:		Mass
				C150	C300	
VS4506-18	75/330/TL/MR	200kg	657mm	100kg	200kg	38kg

Refer to reel selection chart for appropriate reel sizes for use with individual designs

Specification Sheet for Min/Max Lift Height Of Vertical Spindles

Horizontal	Min. Lift Height		Max. Lift Height	
	C150	C300	C150	C300
50C	141mm	205mm	1628mm	1611mm
100C	192mm	256mm	1679mm	1662mm
85P	135mm	199mm	1622mm	1605mm
85RPW	135mm	199mm	1622mm	1605mm

Vertical	Min. Lift Height		Max. Lift Height	
	C150	C300	C150	C300
50C	133mm	197mm	1620mm	1603mm
100C	184mm	248mm	1671mm	1654mm
85P	128mm	192mm	1615mm	1598mm
85RPW	128mm	192mm	1615mm	1598mm

These lift heights are based on the Vertical Spindles being used with a standard 2000mm (2mtr) tall Compac lifter. Taller and shorter lifters are available in increments of +/- 100mm.

