

Single Arbour Attachment

The Single Arbour Attachments have been designed to provide a simple means of lifting and transporting reels using the reels core for support.

Constructed from Stainless Steel the attachment is suitable for hygienic and clean room applications

Die Block Attachment

By adding the optional Die Block attachment the spindle can be used for the safe removal of die blocks and tooling from production machinery.

Comprehensive Range

Available in a wide range of lengths and diameters as standard coupled with the companies full bespoke design service enables the right solution to be provided for most applications.

Fully Interchangeable

Packline's full range of attachments are fully interchangeable and can be easily fixed or removed from any model of Compac fitted with the unique quick release system.

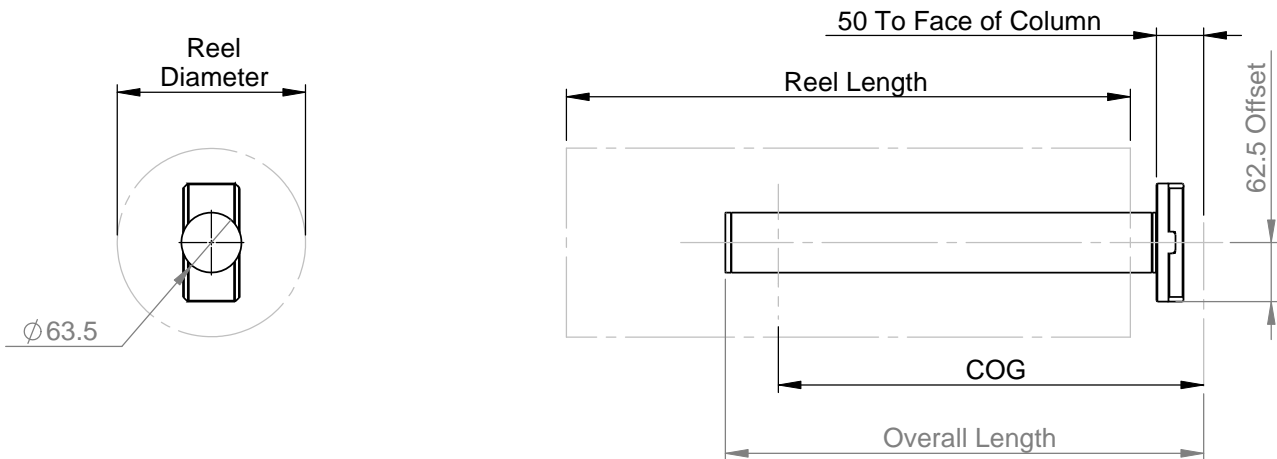
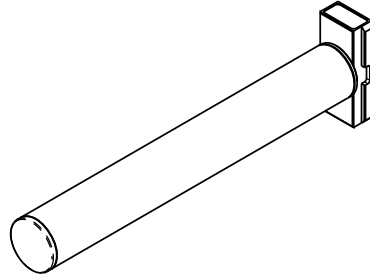
This quick release system enables one Compac to be used with multiple attachments providing an economical solution to a range of applications.



Single Arbour with Optional Die Block Attachment



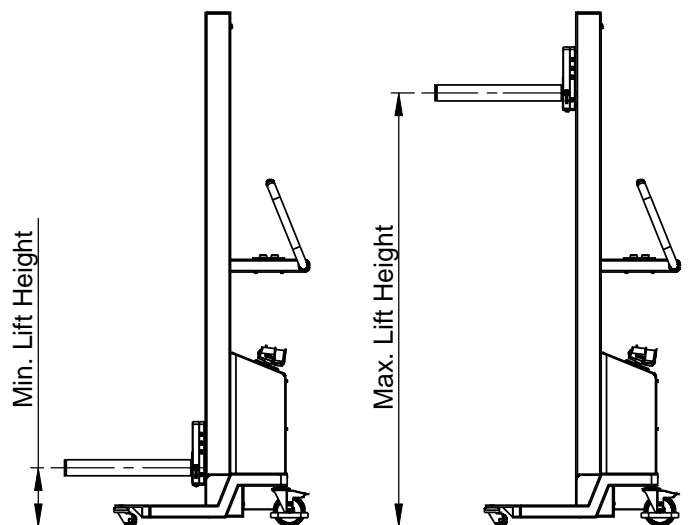
Specification Sheet for Single Spindle



	Description	Max. SWL	Load Centre	Max SWL on Compac Model;			Reel Length	Mass
				C60	C150	C300	Max.	
SS2056-1	450/64	250Kg	450mm	55kg	145kg	250kg	640mm	5kg
SS2058-1	500/64	250Kg	450mm	55kg	145kg	250kg	710mm	5kg
SS2059-1	600/64	250Kg	450mm	55kg	144kg	250kg	800mm	5.5kg
SS2699-1	700/64	250Kg	450mm	55kg	144kg	250kg	930mm	5.8kg

Single Spindle Attachment on a standard 2000H Compac - offset = 62.5mm (LOC001)

	Min. Lift Height		Max. Lift Height	
	C60/C150	C300	C60/C150	C300
50C	233.5mm	297.5mm	1720.5mm	1703.5mm
100C	284.5mm	348.5mm	1771.5mm	1754.5mm
85P	228.5mm	292.5mm	1715.5mm	1698.5mm
85R	228.5mm	292.5mm	1715.5mm	1698.5mm



50C=50 dia swivel castors 100C=100 dia swivel castors 85P=85 dia pallet wheels 85R=85 dia Rocking Pallet Wheels